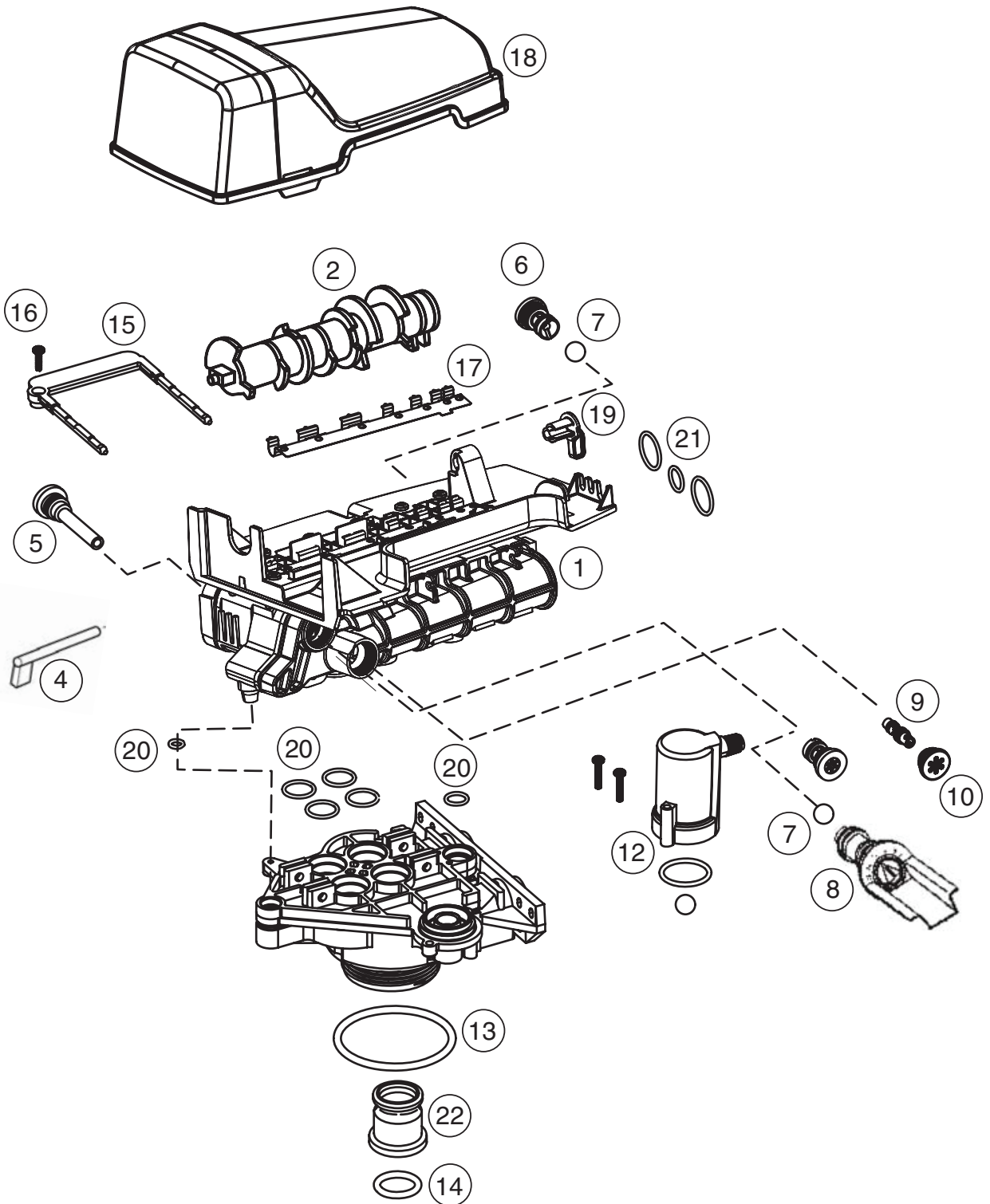


255 Valve 400 Series Parts Breakdown



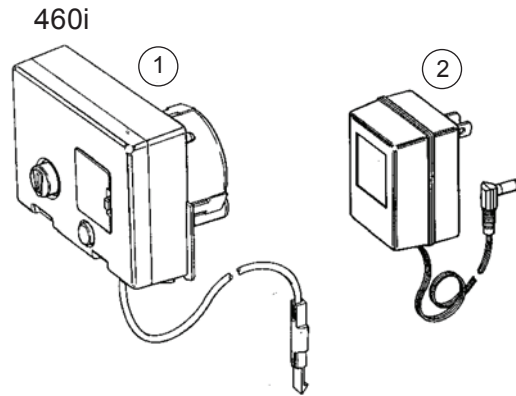
255 Valve 400 Series Parts List

Code	Part No.	Description	Qty.
1	1000232	Valve Assembly, w/o Flow Controls	1
2	1031950 1033025 1033026	Camshaft: Standard, One-Piece Extra Salt, Segmented Long Rinse, Segmented	1
4	1031391	Timer Locking Pin	1
5	1000226	Screen/Cap Assembly w/O-Ring	1
6	1000209 1000210 1000211 1000212 1000213 1000214 1000215	Drain Control Assembly w/O-Rings: No. 7 (1.3 gpm; 4.9 Lpm) No. 8 (1.7 gpm; 6.4 Lpm) No. 9 (2.2 gpm; 8.3 Lpm) No. 10 (2.7 gpm; 10.2 Lpm) No. 12 (3.9 gpm; 14.76 Lpm) No. 13 (4.5 gpm; 17 Lpm) No. 14 (5.3 gpm; 20 Lpm)	1
7	1030502	Ball, Flow control	2
8	1034261 1034263	Brine Refill Control: 1 to 10 lbs Salt 3 to 19 lbs Salt	1
9	1032970 1032971 1032972	Injector Assembly with O-Rings: "A" Injector - White, (7-inch tank) "B" Injector - Blue (8, 9, 10, 12-inch tanks) "C" Injector - Red (10, 12, 13, 14-inch tanks)	1
10	1000269	Injector Cap with O-Ring	1
12	1032416	Air Check Kit, 3/8"	1
13	1010154	O-Ring BN	1
14	1232370	O-Ring EP	1
15	1031402	Locking Bar - English Language	1
16	1006093	Screw, No. 8 x 9/16 inch	1
17	1235341	Spring, one pc 255	1
18	1000062	i-Lid Cover	1
19	3019873	Lever, Locking Cam	1
20	1001404	O-Ring Group: Tank Adapter, 1010117 (1), 1010407 (1), 1010410 (4)	
21	1040459	O-Ring Group: Piping Boss 1010431 (1), 1010411 (2)	
22	1001986	13/16 Rubber Insert (Optional)	
*	1000250	Valve Disc Standard	

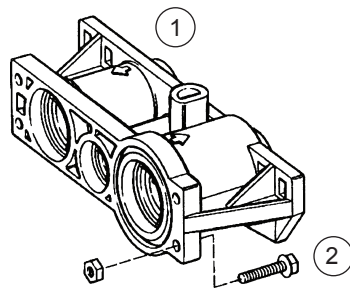
* Not Shown

** Flow control does not use Flow Control Ball (1030502).

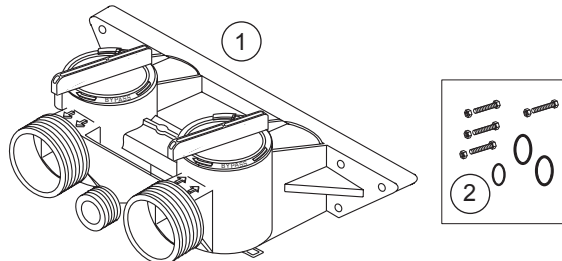
255 Valve 400 Series Replacement Parts



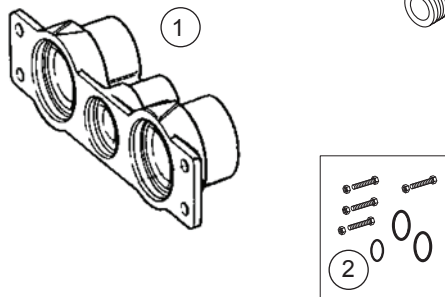
Meter Adapter



256 Bypass Valve



Piping Boss



Note: Do not use pipe joint compound when threading pipe into the Noryl piping boss. Use only Teflon* pipe tape. Do not overtighten pipe into Noryl piping boss.

Code	Part No.	Description	Qty.
460i			
1	1040534	460i Assembly	1
2	1000811	Transformer - North American	1
*	1030234	Transformer Extension Cord 15 foot (4.5 m)	1
Meter Adapter			
1	1032350	Kit, Meter Adapter	1
2	1032351	Meter Install Kit	1

Code	Part No.	Description	Qty.
Piping Boss			
1	3023763 3023749 1040279 1040280	Piping Boss Kit (includes Hardware): 3/4-inch NPT, S.S. 3/8-inch NPT Drain 1-inch NPT, S.S. 1/2-inch NPT Drain 3/4-inch NPT, Noryl 1/2-inch NPT Drain 1-inch NPT, Noryl 1/2-inch NPT Drain	1
2	1040339	Piping Boss Installation Kit	1
Bypass Valve			
1	1040769	Bypass Body Assembly with Install Kit	1
2	1040524	Bypass Installation Kit	1

* Not Shown

Tube Adapter Kits

*	1001606	3/4-inch Copper Tube Adapter Kit	1
*	1001670	1-inch Copper Tube Adapter Kit	1
*	1041210	1-1/4-inch Copper Tube Adapter Kit	1
*	1040547	90 degree Elbow Adapter Kit	1
*	1001613	3/4-inch CPVC Tube Adapter Kit	1
*	1001614	1-inch CPVC Tube Adapter Kit	1
*	1001769	3/4-inch NPT Plastic Pipe Adapter Kit	1
*	1001603	1-inch NPT Plastic Pipe Adapter Kit	1