

The 6200 Valve ... The next Generation for Water Treatment

Our new 6200 valve series has a completely unique cage design cartridge to allow higher flows, longer life and easier service.



Model 6200

Features

- Up to 21 GPM flows for residential/commercial softening and filtration applications
- High backwash flow rate of 17GPM
- Electronic timer provides quick setup and programming
- Quick connect clips allow easy installation and maintenance of drain and brine lines
- Regenerates up to 5 cu. ft. softeners
- Battery back-up, to keep time-of-day during a power outage
- Advanced SXT electronics
- Soft water brine refill
- Complete piston, seal, spacer pack for easy and quick servicing
- Hinge cover for easy and simple service.
- Clamp Ring for easy valve installation and service.

Options

- Available in 3/4"-1" NPT, BSP and sweat connections
- Metered with regeneration day override
- Manual operation
- Backwash filter



Back

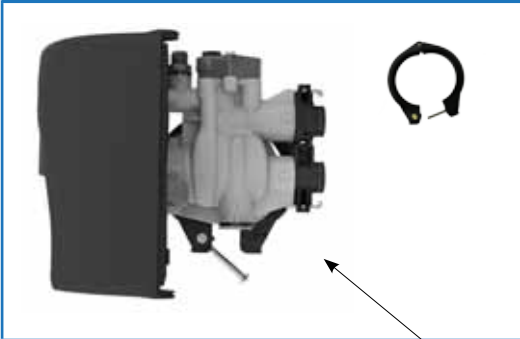


Front

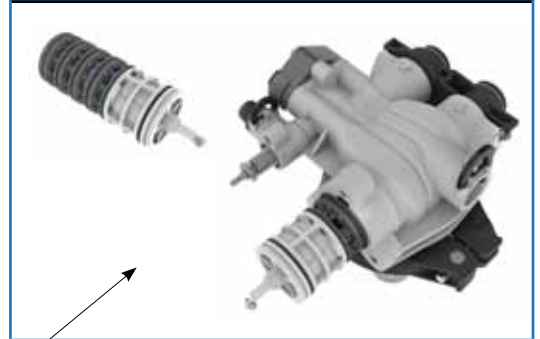
Valve Specifications	
Valve material	Fiber-reinforced polymer
Inlet/Outlet	3/4" - 1" NPT, BSP, Sweat
Cycles	Up to 5 cycles
Flow rates (50 psi Inlet) - Valve Alone (GPM)	
Piston	Standard
Continuous	21
Peak (25 psi drop)	26
Cv (flow at 1 psi drop)	5.5
Max. backwash (25 psi drop)	17
Max. Rapid Rinse (25 psi drop)	10
Regeneration	
Downflow/Upflow	Upflow only
Adjustable cycles	Yes
Time available	199 minutes per cycle
Meter Information	
Meter accuracy	+1/-5% (.25 - 15GPM)
Meter capacity Range (gal).	1 - 60,000
Dimensions	
Distributor pilot	1.05"
Drain line	1/2" NPT Quick Connect
Brine line	3/8" Quick Connect
Mounting base	2-1/2" NPSM
Height from top of tank	6.37"
Typical Applications	
Water softener	6" - 16" diameter
Filters	6" - 16" diameter
Additional Information	
Injector brine system	1610
Electrical rating	24 VAC, 50/60 Hz
Max. VA	15
Estimated shipping weight	11 lbs.
Pressure	Hydrostatic: 300 psi Working: 20 - 125 psi
Temperature	34° - 110° F

Main Valve Features

Tank Adapter Clip for Easy Removal of Valve during servicing or media replenishment of water conditioner



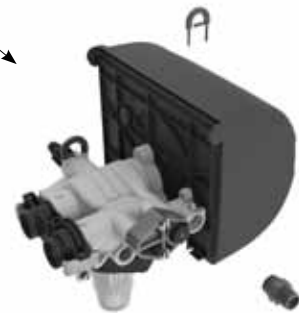
Piston, Seal & Spacer Cartridge Stack – all in one piece for easy servicing and maintenance



Powerful and User Friendly SXT Control

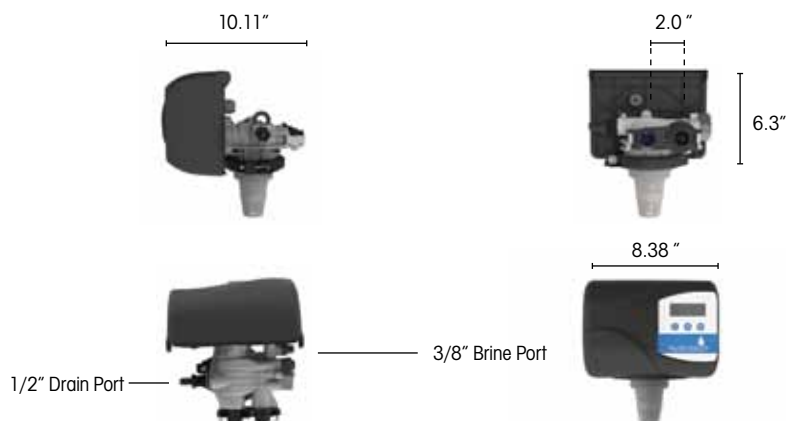


Hinged Cover for Easy access to Powerhead



Quick Connect Clip Fittings on Brine and Drain Port

Dimensions



Water Group

U.S. Headquarters

193 Osborne Road, Fridley, MN 55432

TOLL FREE PHONE: 800-354-7867

TOLL FREE FAX: 800-544-6651

Email: customerserviceusa@hydrotechwater.com

Distribution Facilities:

Durham, NC / Libertyville, IL / Pottstown, PA

Rancho Cucamonga, CA / San Antonio / TX Tampa, FL

www.hydrotechwater.com