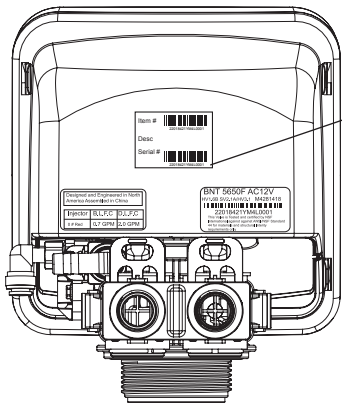


Hydrotech 565 Valve Carbon Filter Quick Set Up Manual

Step 1 – Inspection

Check to make sure you got everything supplied by factory and there is no visible or concealed damage. In case of missing items, please contact customer service immediately and have the Product Serial # handy. (Product Serial # can be found at the back of the control valve, see below)

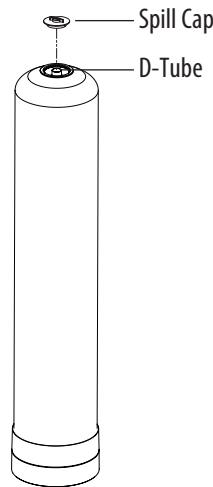


Product Serial #

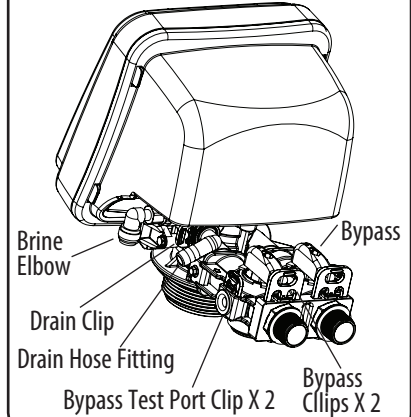
The items you will expect are:

1. Tank with Carbon Media loaded
2. Control Valve
3. Parts Kit

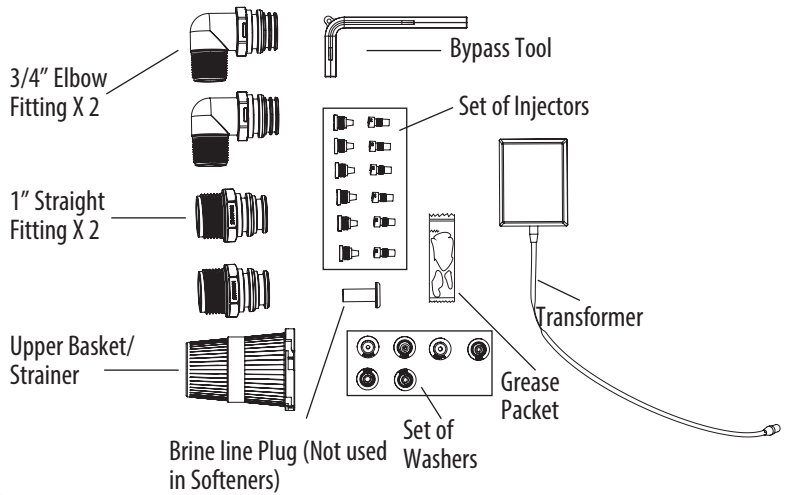
1. Tank with Media loaded



2. Control Valve



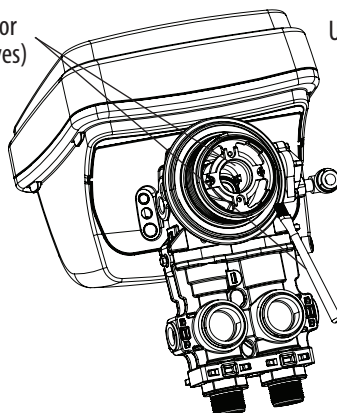
3. Parts Kit



Grease port Orings using brush (not included) or your finger (Make sure to wear protective gloves)

Step 2 – Installing Valve to the Tank

Select a Installation location and make sure there is access to 110V power outlet and drain line. Lube the bottom Valve Orings with the grease supplied, Attach the Upper Basket. Unscrew the spill cap. Carefully Slide the D-Tube inside the Valve and Screw the Valve inside the Tank such that the power cord doesnt get caught between the valve and the tank

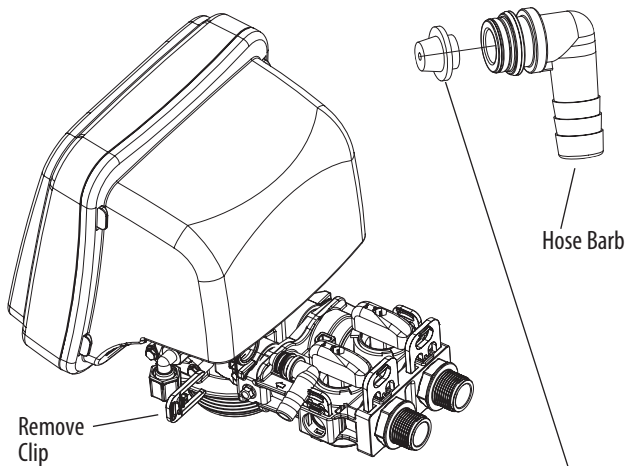


Unscrew Spill Cap
D-Tube

Attach Upper Basket

CAUTION: Make sure the power cord of the valve doesn't get caught between the threads

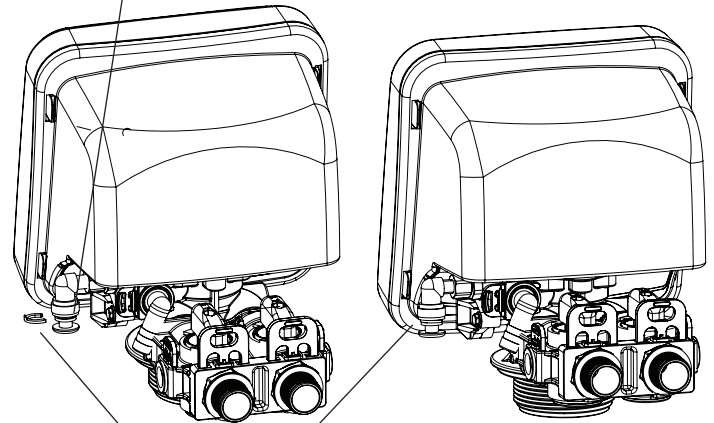
Step 3 – Install Drain Line Washer in the Valve



Remove the Drain line clip and replace the washer as above
 For 1 CF Carbon - use 4GPM (#6) Washer
 For 1.5 CF Carbon - use 5 GPM (#7) Washer

Step 4 – Plug Brine Line Port of the Valve

Push Brine Plug in the Brine Line Port

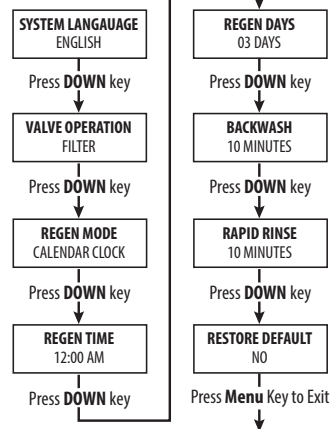
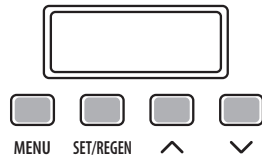


Make sure the blue clip is secure

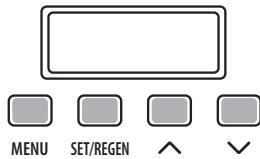
Step 5 – Power the Valve and Configure to Filter

Hold **Up** and **Down** Key for 3 Seconds.
 Press **Set/Regen** to Select the **Value** and **Up/Down** Arrow to Change it. Refer to the values on the blocks that need to be set. Press **Down** Key to move to the next screen.

Key Pad Configuration:



Key Pad Configuration:



Step 6 – Program Valve

1. If screen is locked, press "MENU" for 3 seconds to unlock. Press "MENU" again to enter level one programming mode and adjust **CURRENT TIME**.
2. Press "SET/REGEN" to adjust hours. When you have entered the change value mode, the cursor will blink. Press "UP" or "DOWN" arrows to change the hour values. Press "SET/REGEN" again to accept the hour value and advance to change the minutes value. Press "UP" or "DOWN" arrows to change the minute values. Press "SET/REGEN" again to accept the minute values and advance to adjust the AM/PM values. Press "UP" or "DOWN" to change the AM/PM value. Press "SET/REGEN" again to accept the AM/PM value and exit. When you have exited the change value mode, the cursor will stop flashing.

Setting Current Date

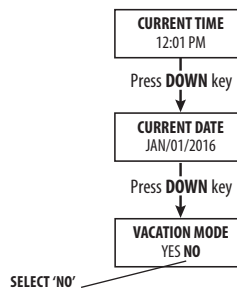
1. Press "DOWN" to advance to CURRENT DATE.
2. Press the "SET/REGEN" to change the value. Press "UP" or "DOWN" to change the values.

Setting Vacation Mode

1. Press "DOWN" to advance to VACATION MODE.
2. Press the "SET/REGEN" to change the value. Press "UP" or "DOWN" arrows to change the values.

Programming Flow Chart

Press SET/REGEN Key and change the values using UP and DOWN Key



VACATION MODE: This function may be activated by the user during a prolonged absence such as vacation. The system will perform a brief backwash and rinse based on the advanced setting. The purpose is to keep the water fresh in the softener tank and plumbing system.